

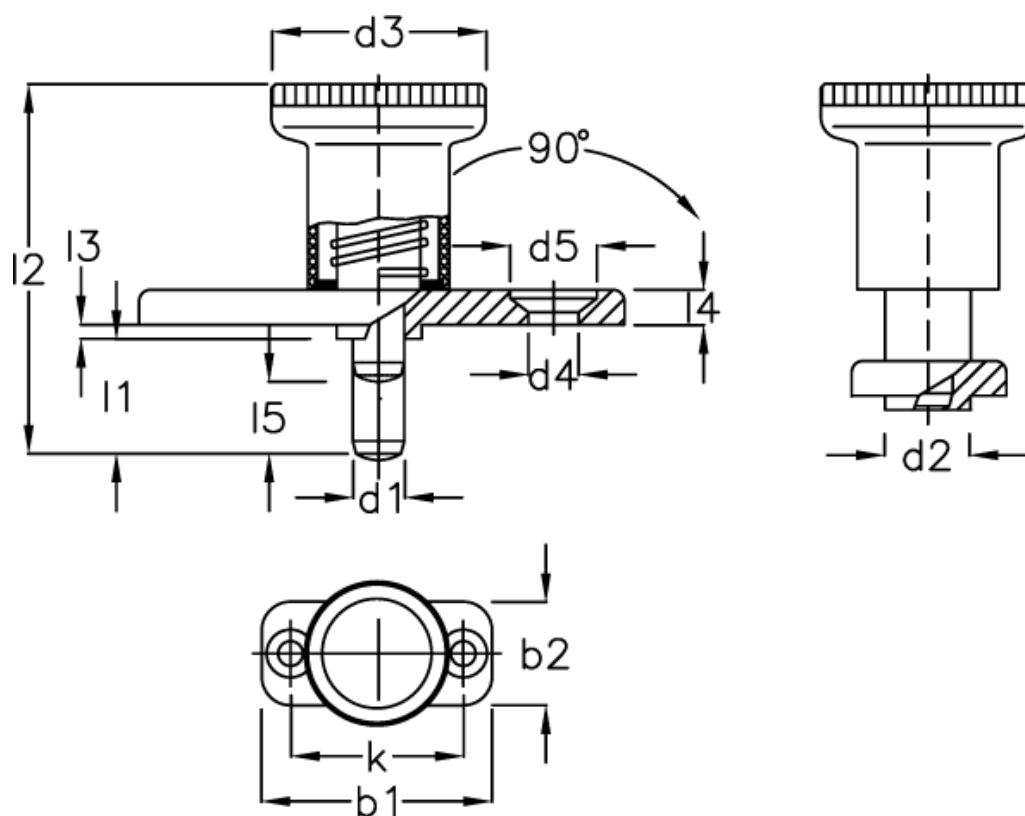
Data Sheet



Article number: 2001200518

Description: E+G
Indexing plunger GN 608-8-18

Measures



AL	= 500	k	= 34
b1	= 46	l1	= 18
b2	= 20	l2	= 44/54
d1 -0.02/-0.04	= 8	l3 -0,15	= 2.5
d2 -0.02/-0.1	= 12	l4	= 5.5
d3	= 31	l5	= 8
d4	= 5.3	Spring pressure N bottom	= 28
d5	= 10.4	Spring pressure N top	= 15.5